



Fig. 100TH & 100LS Threaded DZR - T-Handle or Lockshield



FEATURES & BENEFITS

- Dezincification resistant
- Light, compact and easy to install and operate
- Improved leak protection
- More resistant to damage during installation
- Sizes from 1/4" to 2"
- WRAS Approved



Fig. 100TH

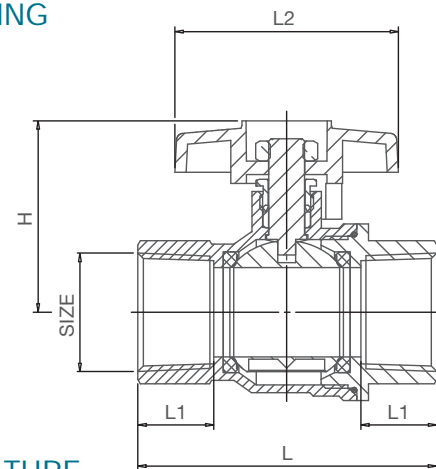


Fig. 100LS

MATERIAL SPECIFICATION

Component	Material
Hex-Nut	Steel Plated
T-Handle	Aluminium AL-46100 Green
Packing Nut	Brass CW617N
Packing Gland	PTFE WRAS Approved
Body	DZR Brass CW602N
Seats	PTFE WRAS Approved
Ball	DZR Brass CW602N Chrome Plated
O-Ring	Rubber EPDM WRAS Approved
Bonnet	DZR Brass CW602N
Stem	DZR Brass CW602N
Lockshield	Brass CW617N
Lockshield Cover	Polypropylene Green

DIMENSIONAL DRAWING



PRESSURE/TEMPERATURE RATINGS THREADED

Temperature °C	-10 to 100	120
Pressure bar	25	21.8

Intermediate pressure ratings shall be determined by interpolation.

SPECIFICATION

UK End Connection: BS EN 10226-2:2005 formerly BS21 Taper.

US End Connection: ANSI B1.20.1:1983.

Operator: T-Handle/Spanner/Socket.

Quarter turn.

PTFE seats and stem seal.

WRAS listed.

Suitable for LTHW, Chilled and Wholesome (Potable) water services.

DIMENSIONS & WEIGHTS

Nom Size	Fig.	in	1/2	3/4	1	1 1/4	1 1/2	2
L		mm	59	67	80.5	94	102	124
L1		mm	15.5	17	21	23	23	26.5
L2	100TH	mm	50	50	55	82	82	110
H	100TH	mm	40	43	54	61	67	80.5
H	100LS	mm	42	45	58	67	73.5	86.5
Weight	100TH	g	183	277	470	809	1210	2106
Weight	100LS	g	207	302	506	867	1269	2166